

evolis

Kiosk

Kiosk Card Printer

Solution for an industrial on-demand card printing

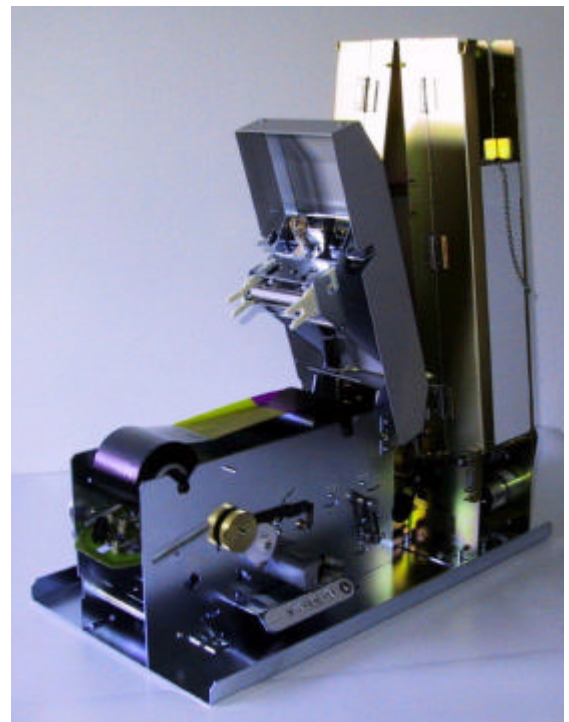
Easily integrated !

The only Card Printer on the Market dedicated to all kiosk application with a complete autonomy of 1000 cards in color.

The Industrial Card Printer

Specifications

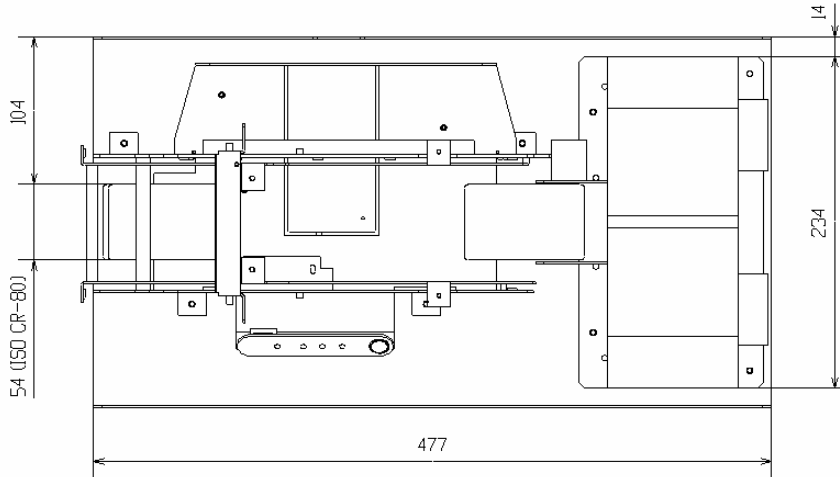
Print Method	Thermal Transfer and Sublimation Edge-to-edge printing as standard
Printer feature	Integrated ribbon saver
Print Speed	Up to 140 cards/hour in color (YMCKO), one side Up to 1000 cards/hour in monochrome, one side
Resolution	300 DPI
Card Types	All PVC and Composite cards
Card Format	CR-80 (53.98mm x 85.60mm -3.375" x 2.125")
Card Thickness	From 0,5mm (20mil) to 1mm (40mil)
Card Feeder Capacity	Feeder 1000 cards (0.76mm-30mil) Feeder 500 cards (0.76mm-30mil)
Ribbon Types	5 Panel Color Ribbon (YMCKO) : 1000 cards / roll Monochrome Ribbon : 5000 cards / roll
Printer Dimensions	Height : 545 mm Width : 486,95 mm Depth : 262 mm
Printer Weight	15 kg (33lbs)
Interface	Parallel Centronics (supplied cable)
Indicators	Power (LED) End of Ribbon (LED) No Cards (LED) Cleaning Alert (LED)
Power Supply	100~240 Volts CA, 60~50 Hertz Class B FCC, CE, UL, CSA and TUV approved
Environmental	Min / Max operating temperature : 15°C / 30°C Operating humidity : from 20% to 65% non-condensing Min / Max storage temperature : -5°C / +70°C Storage humidity : from 20% to 70% non-condensing Ventilation : free air
Warranty	Printer : 1 year Print Head : 1 years, unlimited printings ¹
Available Drivers	For Window95/98/Me/NT 4.0/2000 and Xp
Printer Options	Flip Over Station Card Output Hoppers of 1000 cards Dual HICO/LOCO Magnetic Stripe Encoder Smart Card Contact Station Contactless Smart Card Reader/Encoder – available upon study USB Port (supplied cable)



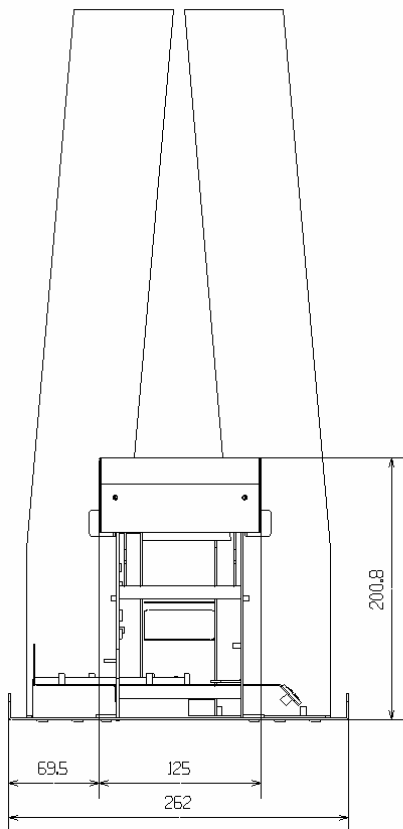
¹only on the condition of the use of Evolis ribbons

Kiosk Card Printer Outline Dimensions

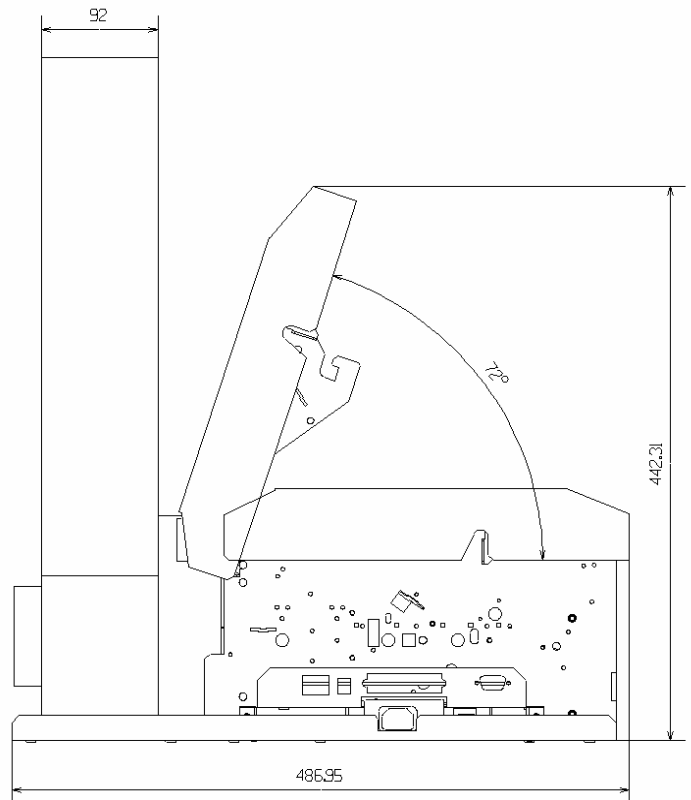
All the dimensions given on this page are in millimetres.



Printer Module
Seen from above



Card Feeder Module
Seen from back



Printer Module
Opening Angle

© 2003 Evolis. All rights reserved. We reserve the right to make changes without prior notification. All names and trademarks quoted constitute the property of each owner respectively. March 2003.